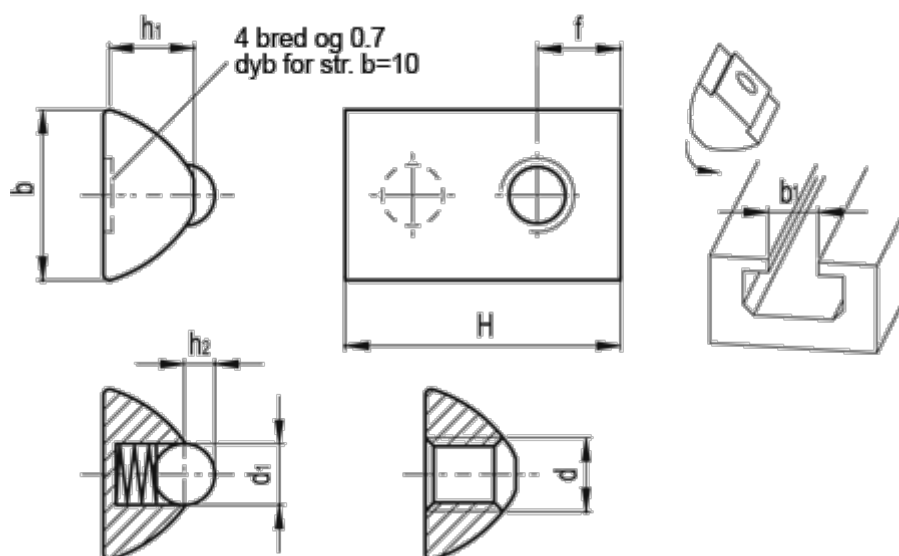


Article number: 20080386B

Description: E+G T-nut with guide step
GN 506.1-10-M5

Measures



b = 10 +0.3

b1 = 6

d = M5

d1 = 4

f = 5.0

H +0.5 = 17.5

h1 = 6.25

h2 = 1.2

Weight (g) = 5